

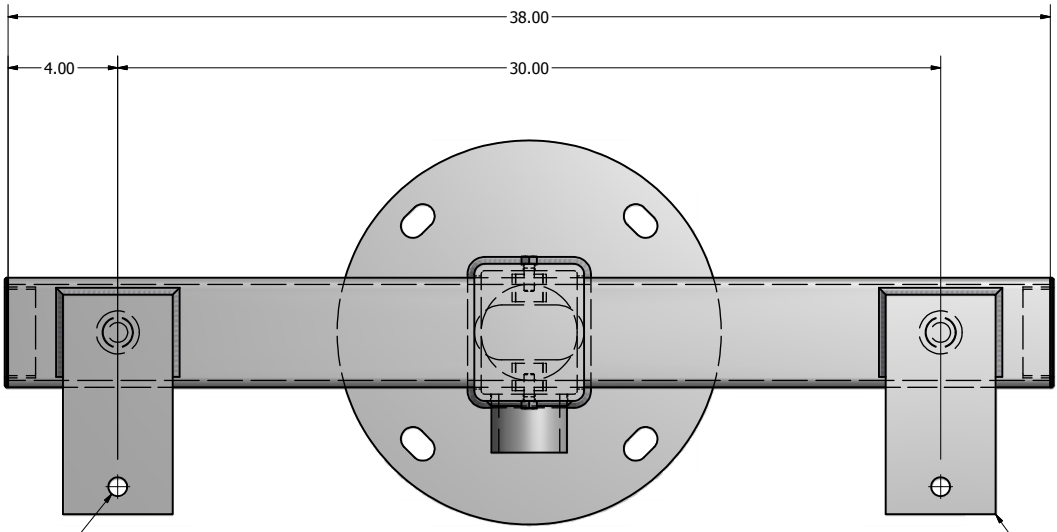
4

3

2

1

TOP MOUNTED CROSS ARM			
CATALOG #	FIXTURE QTY.	EPA (SQ. FT.)	WEIGHT (LBS.)
CRT-02	2	1.6	87



DRILLED PER FIXTURE REQUIREMENTS

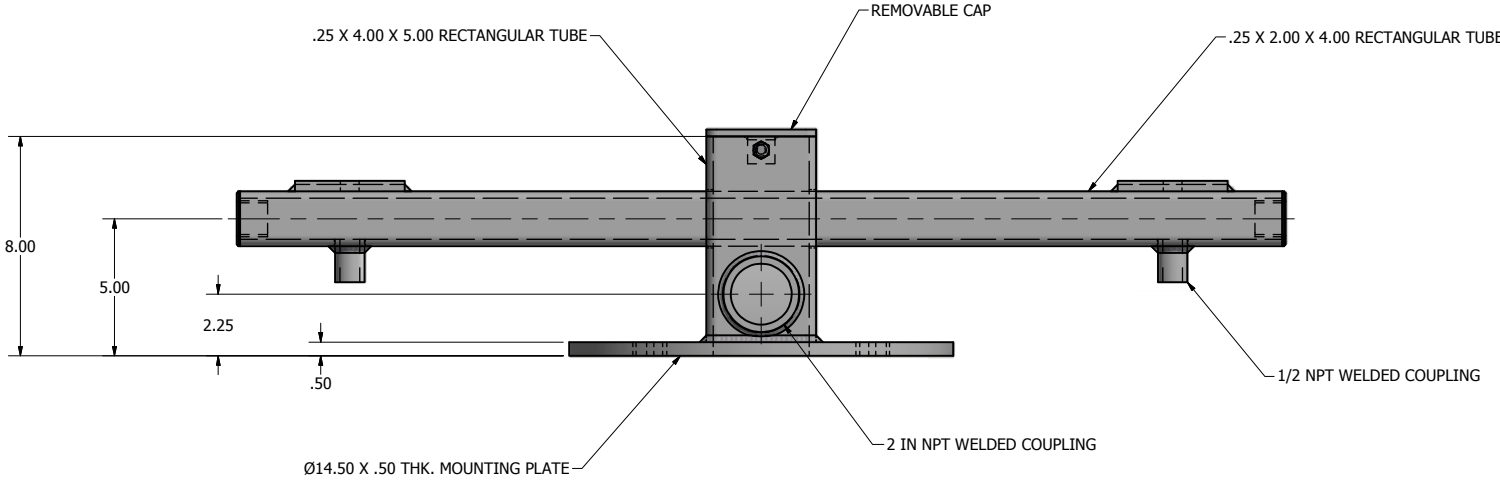
.38 X 4.00 X 8.00
FIXTURE MOUNTING PLATE

D

C

B

A



.25 X 4.00 X 5.00 RECTANGULAR TUBE

REMOVABLE CAP

.25 X 2.00 X 4.00 RECTANGULAR TUBE

1/2 NPT WELDED COUPLING

Ø14.50 X .50 THK. MOUNTING PLATE

2 IN NPT WELDED COUPLING

SOME GEOGRAPHICAL AREAS HAVE SPECIAL WIND CONDITIONS THAT CAN CREATE WIND INDUCED VIBRATIONS CAUSING A FATIGUE PROBLEM. NO METHOD HAS YET BEEN FOUND FOR PREVENTING OR REDUCING THESE VIBRATIONS. THE CONTRACTOR IS ADVISED THAT THE CONTRACTOR CANNOT BE GUARANTEED AGAINST, AND ARE THE RESPONSIBILITY OF A LOCAL SITE ENGINEER.

TITLE:

CATALOG:

DWG NO: CRT-02
SIZE: C
SHEET 1 OF 1

23171 Groesbeck Hwy.
Warren, MI 48089
P: (586) 774-6105 | F: (586) 774-5706
www.generalstructuresinc.com



DRAWN: M. HARVALA
DATE: 7/19/2015

CHECKED

REVISION:

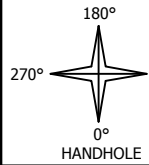
APPROVED:

QUOTE:

S.O.#

REF:

SCALE: NONE



FINISH: TOP MOUNTED CROSS ARM BRACKET TO BE FINISHED TO MATCH POLE.

4

3

2

1

